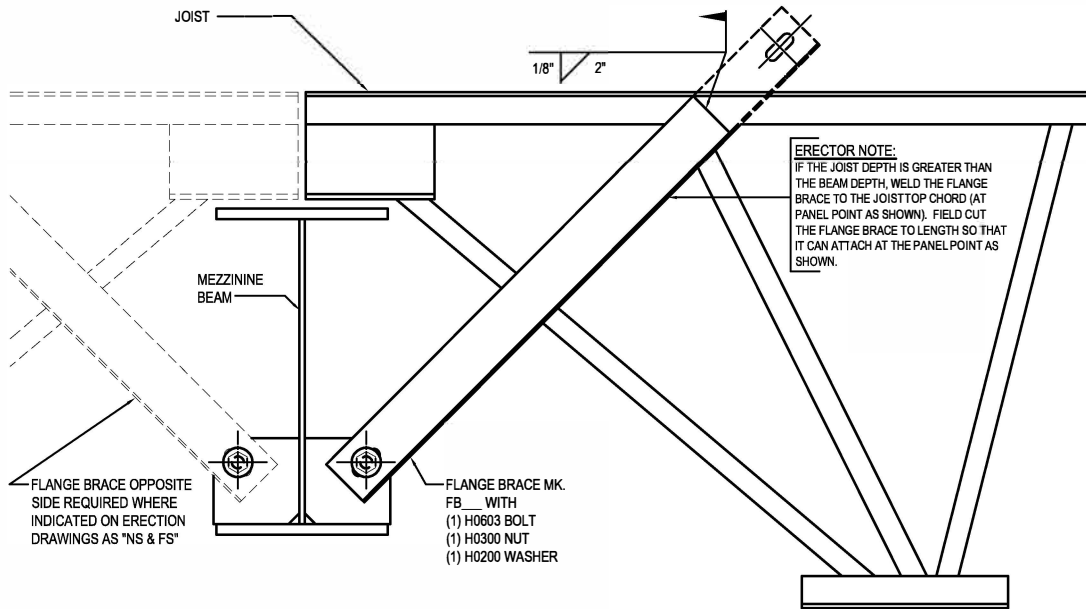


MEZZANINE FLANGE BRACING DETAILS

AP0005 - FLANGE BRACING AT MEZZANINE

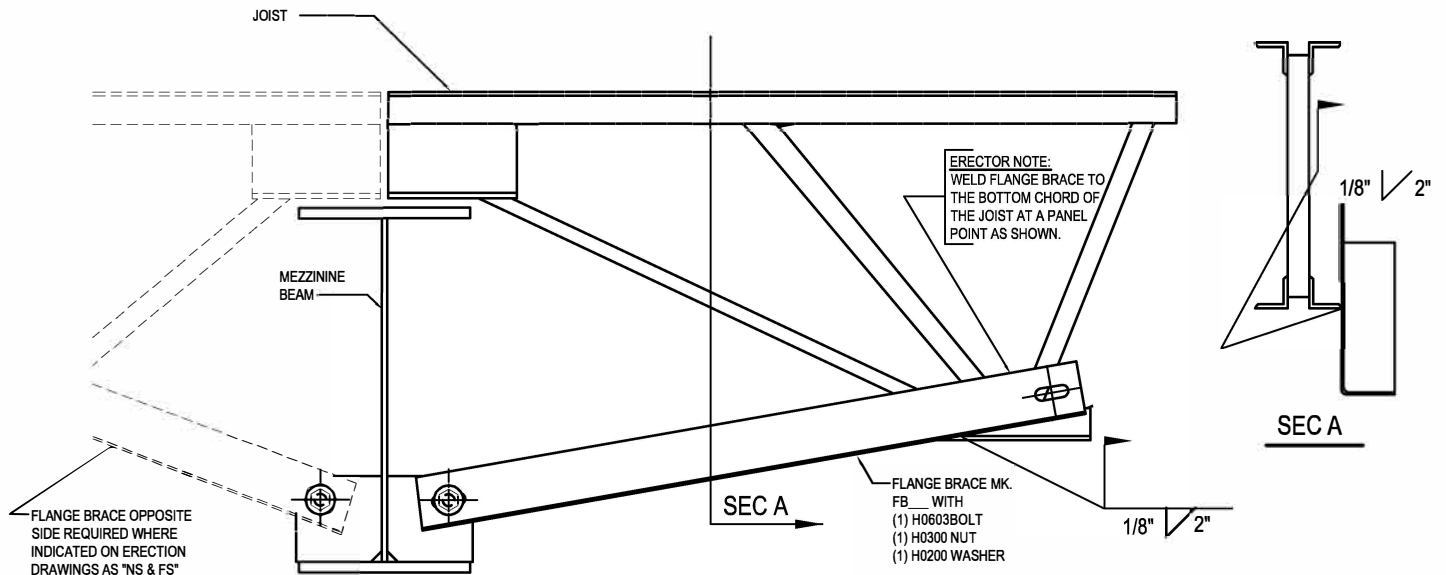
AP0005 - FLANGE BRACING AT MEZZANINE

[Download the DWG file by clicking here.](#)



FLANGE BRACE DETAILS IF JOIST DEPTH GREATER THAN BEAM DEPTH

ALL FLANGE BRACE CONNECTIONS REQUIRE 1/2" x 2" A325 BOLTS UNLESS NOTED OTHERWISE
SEE PLANS AND ELEVATIONS FOR FLANGE BRACE PART MARKS



FLANGE BRACE DETAILS IF BEAM DEPTH GREATER THAN JOIST DEPTH

ALL FLANGE BRACE CONNECTIONS REQUIRE 1/2" x 2" A325 BOLTS UNLESS NOTED OTHERWISE
SEE PLANS AND ELEVATIONS FOR FLANGE BRACE PART MARKS

AP0005

AP0005

Detailer Notes:

- 1) N/A